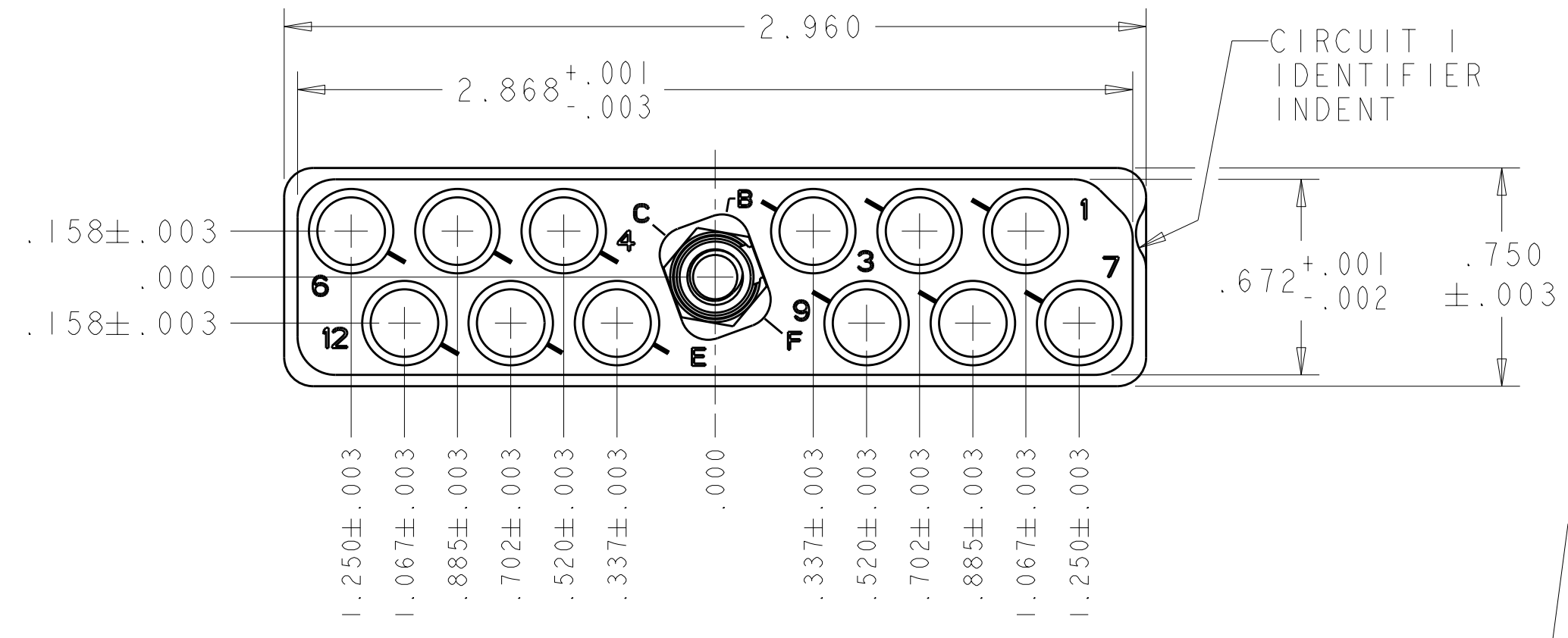


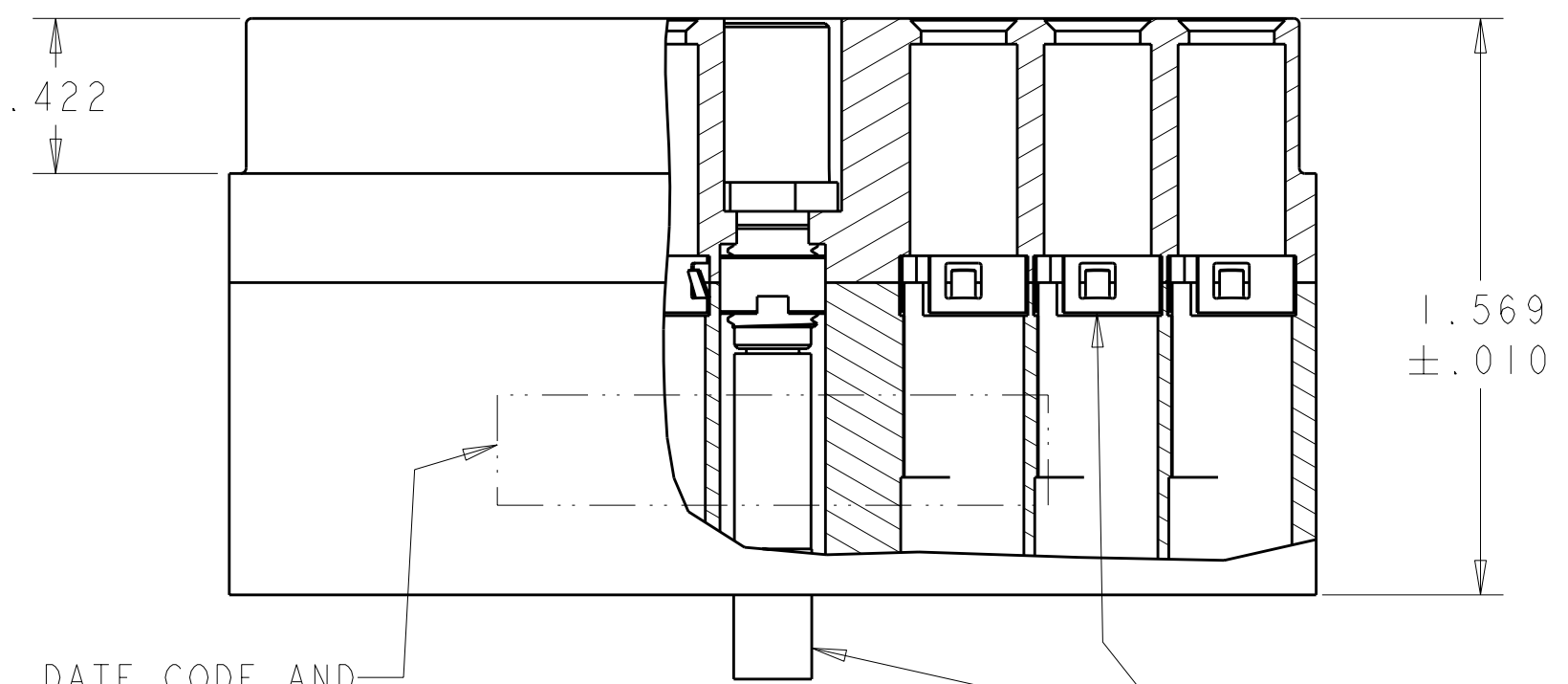
THIS DRAWING IS UNPUBLISHED. RELEASED FOR PUBLICATION 20
 © COPYRIGHT 20 BY TYCO ELECTRONICS CORPORATION. ALL RIGHTS RESERVED.

LOC		DIST		REVISIONS				
P	LTR	DESCRIPTION	DATE	DWN	APVD			
DF	A5	F	REV PER ECO 08-007225	4-14-08	CT	DM		



- 1.250±.003
- 1.067±.003
- .885±.003
- .702±.003
- .520±.003
- .337±.003
- .000
- .337±.003
- .520±.003
- .702±.003
- .885±.003
- 1.067±.003
- 1.250±.003

PLUG SHELL AND REAR RETENTION PLATE
 MATL: ALUMINUM ALLOY
 FINISH: SEE FINISH

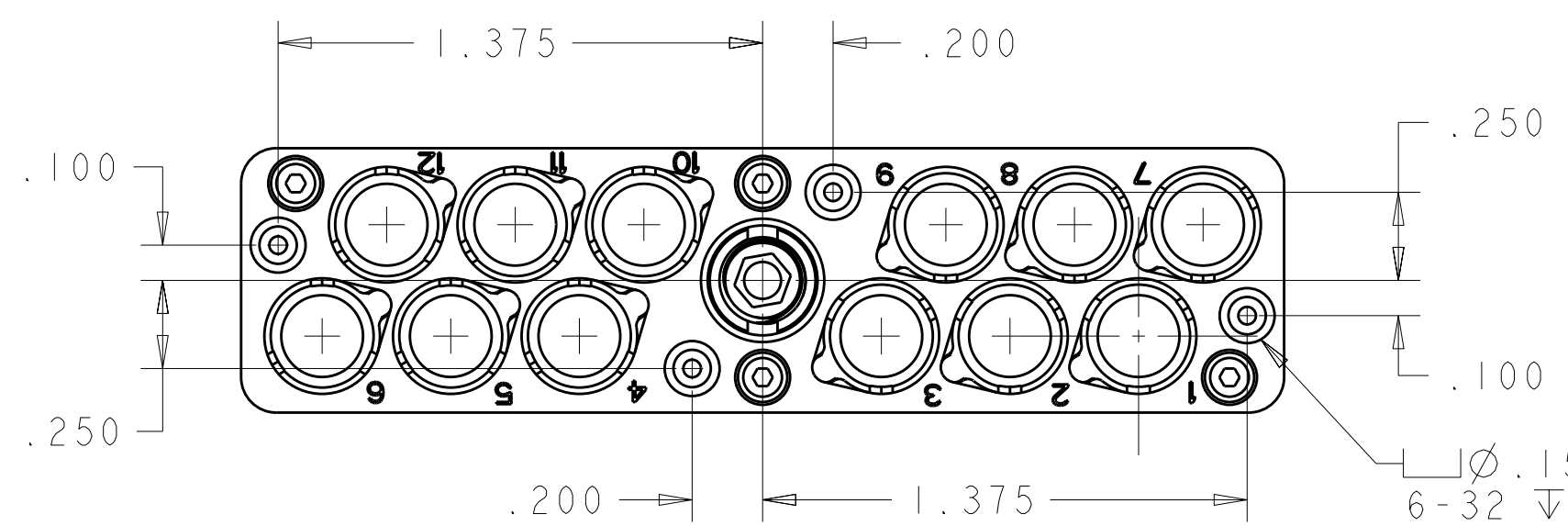


TE LOGO, DATE CODE AND EITHER CUSTOMER OR TE PART NUMBER (PER TABLE), CAGE CODE 00779 (-6 ONLY) MARKED APPROX AS SHOWN ON NEAR OR FAR SIDE)

JACKSCREW AND RETENTION NUT KIT SIMILAR TO BACC65AF FLAT PLZN; INCLUDED, BUT NOT INSTALLED

RETENTION CLIP, 12 REQD MATL: STAINLESS STEEL FINISH: PLATED SILVER

- 1. JACKSCREW-RETENTION NUT KIT IS UNASSEMBLED TO CONNECTOR ASSY. KIT IS PACKAGED IN SEALED BAG.
- 2. 1604800-4, -5, -6, & -8 HOUSING CONFIGURATION SHOWN, SEE SHEET 2 FOR 1604800-2 CONFIGURATION.



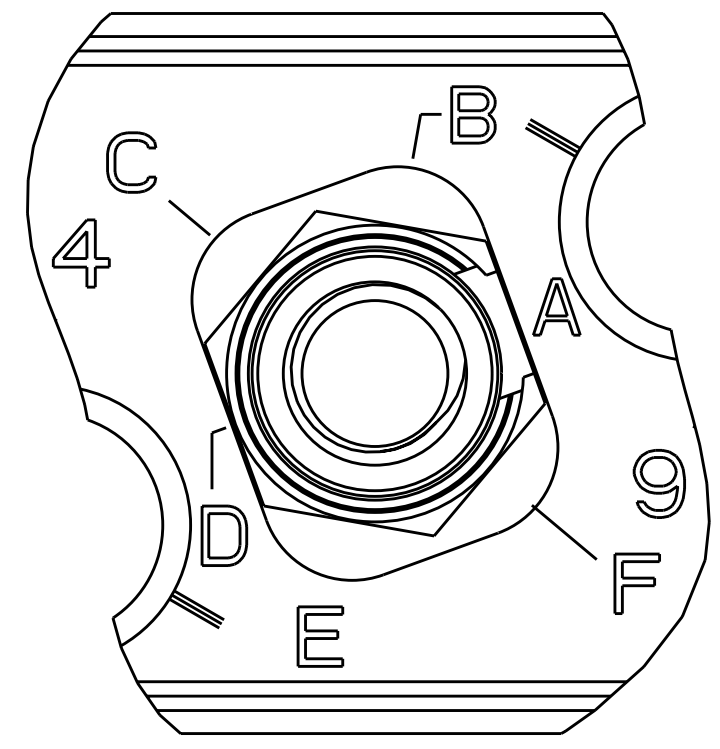
∅.156±.021
 6-32 ±.50 SPIRALLOCK
 THREADS, 4X
 (FOR ATTACHING BACKSHELL
 KIT 1604874-2)

SHELL FINISH	RECOMMENDED CONTACT WITH WIRE SEAL	BOEING PART NUMBER	DESCRIPTION	PART NO.
ELECTROLESS NICKEL	1445693-3	---	WITH JACKSCREW-RETENTION NUT KIT (FLAT POLARIZATION)	1604800-8
BLACK ANODIZED	1445693-3	---	JACKSCREW ASSEMBLED PLZN CODE A	1604800-6
BLACK ANODIZED	1445693-3	---	WITH JACKSCREW-RETENTION NUT KIT (FLAT POLARIZATION)	1604800-5
BLACK ANODIZED	1445693-4	BACC65BC12A	WITH JACKSCREW-RETENTION NUT KIT (FLAT POLARIZATION)	1604800-4
BLACK ANODIZED	1445693-2	---	WITH JACKSCREW-RETENTION NUT KIT (FLAT POLARIZATION)	1604800-2

<small>THIS DRAWING IS A CONTROLLED DOCUMENT FOR TYCO ELECTRONICS CORPORATION IT IS SUBJECT TO CHANGE AND THE CONTROLLING ENGINEERING ORGANIZATION SHOULD BE CONTACTED FOR THE LATEST REVISION.</small>		DWN Brent D. Yohn 24 JUNE 2004 CHK W.H. BERNHART 24 JUNE 2004 APVD W.H. BERNHART 24 JUNE 2004	Tyco Electronics Harrisburg, PA 17105-3608
DIMENSIONS: IN 	TOLERANCES UNLESS OTHERWISE SPECIFIED: 0 PLC ± 1 PLC ± 2 PLC ± 3 PLC ±.005 4 PLC ± ANGLES ±°	NAME ASSY, PLUG, QUADRAX, FREE HANGING, RR/RR, 12 POSN PRODUCT SPEC - APPLICATION SPEC - WEIGHT -	SIZE A2 CAGE CODE 00779 DRAWING NO C-1604800 RESTRICTED TO -
MATERIAL SEE CALLOUTS	FINISH SEE CALLOUTS	CUSTOMER DRAWING	SCALE 1:1 SHEET 1 OF 2 REV F

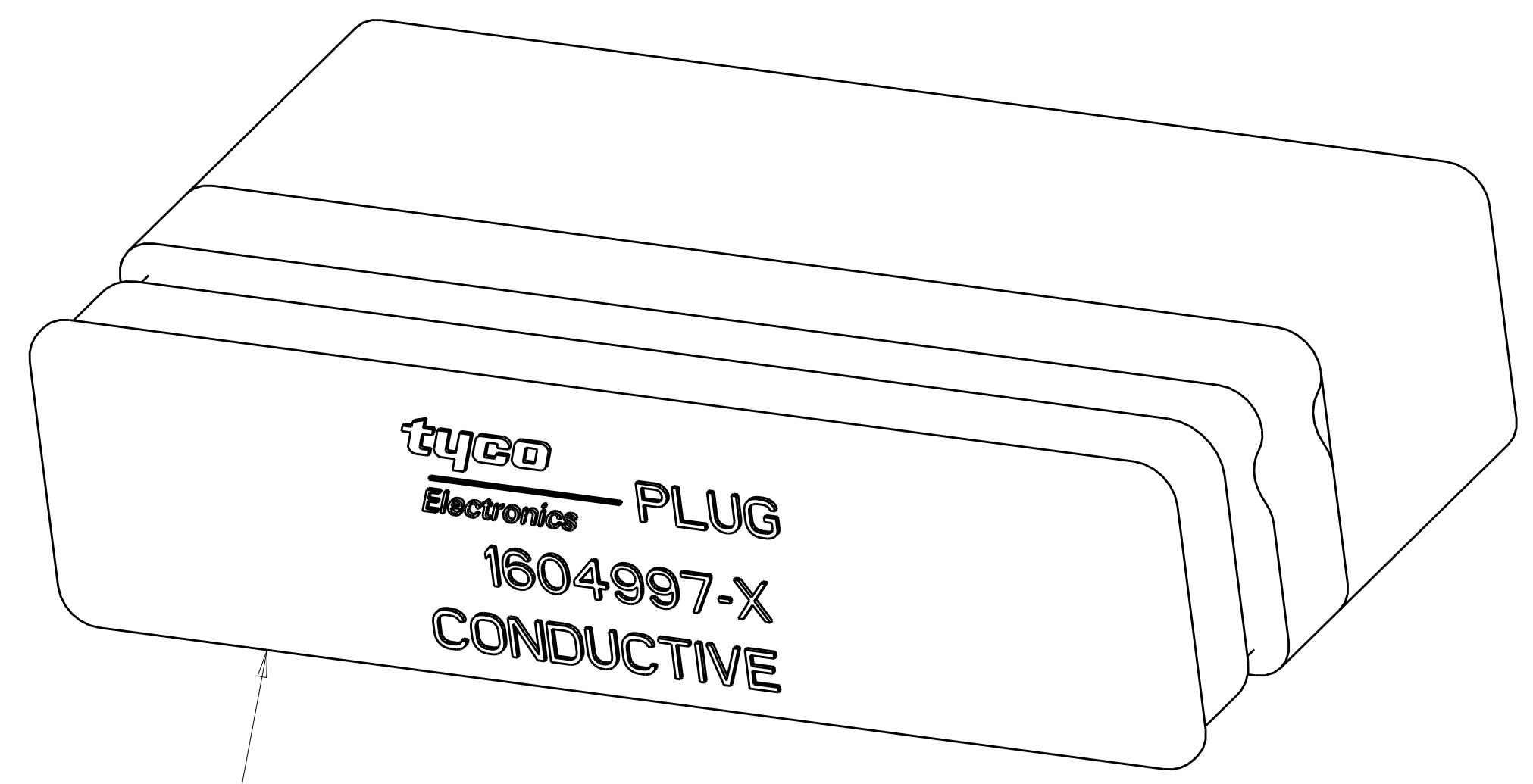
THIS DRAWING IS UNPUBLISHED. RELEASED FOR PUBLICATION 20
 © COPYRIGHT 20 BY TYCO ELECTRONICS CORPORATION. ALL RIGHTS RESERVED.

LOC	DIST	REVISIONS					
DF	A5	P	LTR	DESCRIPTION	DATE	DWN	APVD
		-		SEE SHEET 1			

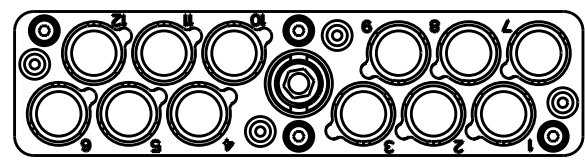
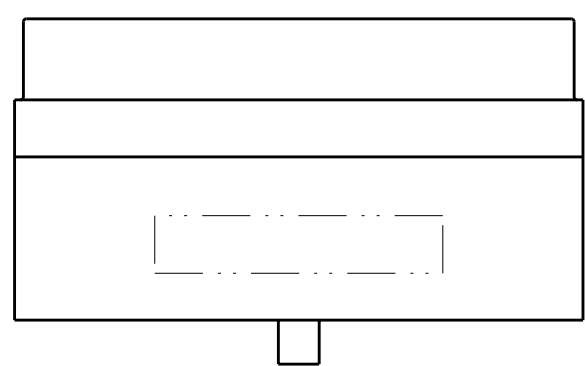
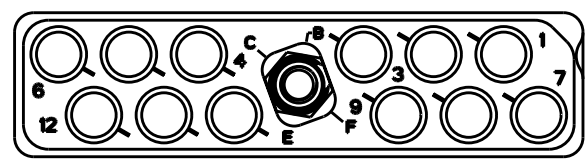


**1604800-2, -4 & -5
(FLAT PLZLN)**

(PLZN CODES, A THRU F,
 SHOWN FOR REF ONLY;
 "A" AND "D" DO NOT
 APPEAR ON PARTS)



ESD DUST COVER; SUPPLIED WITH 1604800-4, -5 & -6 ONLY;
 PART NUMBER 1604997-1 MUST BE ORDERED SEPARATELY FOR
 USE WITH 1604800-2



1604800-2
 SCALE 1:1

<small>THIS DRAWING IS A CONTROLLED DOCUMENT FOR TYCO ELECTRONICS CORPORATION IT IS SUBJECT TO CHANGE AND THE CONTROLLING ENGINEERING ORGANIZATION SHOULD BE CONTACTED FOR THE LATEST REVISION.</small>		DWN 24 JUNE 2004 Brent D. Yohn CHK 24 JUNE 2004 W. H. BERNHART APVD 24 JUNE 2004 W. H. BERNHART	Tyco Electronics Harrisburg, PA 17105-3608
DIMENSIONS: IN 	TOLERANCES UNLESS OTHERWISE SPECIFIED: 0 PLC ± 1 PLC ± 2 PLC ± 3 PLC ±.005 4 PLC ± ANGLES ±° FINISH SEE CALLOUTS	PRODUCT SPEC APPLICATION SPEC WEIGHT CUSTOMER DRAWING	NAME ASSY, PLUG, QUADRAX, FREE HANGING, RR/RR, 12 POSN SIZE CAGE CODE DRAWING NO RESTRICTED TO A200779 C-1604800 -
MATERIAL SEE CALLOUTS		SCALE 1:1 SHEET 2 OF 2 REV F	